

REV LTR	DESCRIPTION	DATE	APPVD.
-	Orig. Release	01/16/10	JSN
A	Revised per ECN 2012-1	11/09/12	JSN
B	Revised per ECN 2014-1	03/26/14	JSN
C	Revised per ECN 2016-2	10/21/16	JSN

**FTTC07 Series**  
**LVPECL Output TCXO/VCTCXO**  
**FOR SPACE APPLICATIONS**  
**10MHz to 1400MHz**  
**( 5 x 7 mm, SMD, 2.5 V )**

**( Refer to Page 5 for Models with Reduced Screening & QCI )**

1. SCOPE: FTTC08 series, LVPECL output, high reliability hybrid microcircuit crystal oscillators are designed, produced and tested by Frequency Technology, Inc. as MIL-PRF-55310, Class "S" equivalent devices for use in advanced military, avionics and space applications. These devices are of hybrid microcircuit technology conforming to MIL-PRF-55310, Type 1, Class 2 oscillators.

2. APPLICABLE DOCUMENTS:

MIL-PRF-55310E	Oscillator, Crystal Controlled, General Specifications for
MIL-PRF-38534G	Hybrid Microcircuits, General Specifications for
MIL-STD-883E	Test Methods and Procedures for Microelectronics

3. REQUIREMENTS:

3.1 General: The individual item requirements shall be as specified herein.

3.2 Package: Ceramic, 90% Min.  $AL_2O_3$ . Thermal Resistance,  $\theta_{JC}$ : 50 °C / Watt.

3.2.1 Termination Finish: 1.3  $\mu m$  minimum gold plate over 2.0  $\mu m$  minimum nickel plate. Hot Solder tinning with Sn60/Pb40 solder per MIL-PRF-55310 is optional at an additional cost.

3.2.2 Weight: 0.30 Gms Max.

3.2.3 Reflow Soldering: Reflow soldering at 260 °C for 10 seconds shall not degrade the performance.

3.3 Hermeticity: Resistance welded, hermetically sealed, leak rate of  $1(10)^{-8}$  atm-cc/s Max.

3.4. Marking: As a minimum, the parts shall be marked with Fre-tech P/N and date code

3.5 Absolute Maximum Ratings: Unless otherwise specified, absolute maximum ratings shall be as follows:

Supply Voltage	-0.5 to +4.0 VDC
Operating Free-Air Temperature Range	-55°C to +125°C
Storage Temperature	-55°C to +125°C

3.6 Electrical Characteristics: See Table I

3.6.1 Total Dose Radiation: Hybrid Microcircuit Crystal Oscillators shall be capable of meeting the electrical characteristics of Para. 3.6 after being exposed to total ionizing dose radiation of 100 krads as per MIL-STD-883, method 1019.

3.7 Hybrid Elements:

3.7.1 Quartz Crystals: High grade cultured quartz crystal shall be used. As an option, Fre-tech will use premium Q swept quartz crystal at an additional charge, refer to part numbering example in paragraph 6 to specify swept quartz crystal. Crystal element evaluation shall be in accordance with MIL-PRF-55310.

3.7.2 Crystal Mounting: Crystal element shall be mounted at 4 points in such a manner as to provide adequate ruggedness and performance under extreme environments specified herein.

- 3.7.3 Passive Elements: Established Reliability (ER) QPL components, failure level R minimum shall be used or element lot evaluation shall be as per MIL-PRF-55310, class S, or MIL-PRF-38534, Appendix C, Class K as applicable.
- 3.7.4 Microcircuit die shall be from lots that have passed the element evaluation per MIL-PRF-55310, Appendix B, Level S, except testing per Subgroup 5 is omitted. Subgroup 5 testing is circuit configuration dependent, therefore, it is more effectively performed at the oscillator level as explained in Paragraph 3.7.4 herein.
- 3.7.5 For Output Frequency up to 90 MHz, microcircuit die used in the oscillator shall be from NSC/FC 54ACT family and must be from wafer lot that has been successfully tested in the oscillator for ionizing radiation of up to 100 krad. Fre-tech has also performed SET & SEL testing on the microcircuit die. Test reports are available on request. For output frequencies above 90 MHz, the microcircuit die shall be from 0,8 μm BiCMOS Si family and must be from wafer lots that have been successfully tested in the oscillator for ionizing radiation of up to 100Krad and is known to be Single Event Latch-up immune for LET of up to 95 Mev-cm<sup>2</sup>/mg.
- 3.7.6 Workmanship, Rework and Process controls shall be in accordance with the requirements of MIL-PRF-55310.
- 3.7.7 Lot Traceability: Production lot for these oscillators shall be homogenous. Each element used in the production lot shall be traceable to a single lot. Swept quartz shall be traceable to the quartz bar, and its applicable processing details.

4. Quality Assurance Provisions: The quality assurance provisions shall be per MIL-PRF-55310, except as specified herein.

4.1 100% Screening: The 100% screening shall be performed as per Table II. PDA requirements for nondestructive bond pull and burn-in shall be as specified below.

4.2 PDA for Nondestruct Bond Pull: Unless otherwise specified, PDA shall be 2% of total number of wires or 1 wire whichever is greater.

4.3 PDA for Burn-in: Unless otherwise specified, PDA for burn-in shall be 2% or 1 oscillator whichever is greater and shall be applicable to +23 °C and/or +25 °C static tests only. In addition Delta Calculation shall be performed after Burn-in and shall count for PDA. All measured values for Delta Calculation shall be recorded. Parts that exceed the specified delta limits shall be rejected and be counted for PDA. Delta Calculation shall be performed at 3.3 VDC for the following parameters:

Input Current	10% change Maximum
Output High Level	10% change Maximum
Output Low Level	0.1V change Maximum

4.4 Group A inspection shall be in accordance with MIL-PRF-55310 for product level S.

4.5 Group B inspection ( 30 day aging ) shall be in accordance with MIL-PRF-55310 for product level S. In order to expedite delivery, by customer request, the aging test can be ended after 15 days if the amount of frequency aging is less than 50% of the 30 day specification limit.

4.6 Oscillators shall be capable of meeting group C inspection per MIL-PRF-55310. Generic group C inspection data on similar parts may be used to satisfy this requirement. When specified by the Customer, Fre-tech will perform Group C testing at an additional charge.

4.7 Inspection and Test Data: Unless otherwise specified in the purchase order, the following Inspection and test data documentation shall be supplied with the parts.

Certificate of Conformance  
Summary of Class "S" screening Test Results  
PDA Calculations for Non-Destruct Bond Pull and Burn-in  
Summary of Elements Lot Traceability  
Electrical Tests before and after Burn-in  
Group A Inspection Summary  
Group B (30 day Aging) Data  
Radiographic Inspection Certificate

4.8 The following test and inspection options are available at customer request.

Customer Source Inspection for Pre-Cap and Final  
Group C Inspection per MIL-PRF-55310 on 4 or 8 units  
DPA (Destructive Physical Analysis)  
Life Test per MIL-STD-883, Method 1005, 1000 Hrs. at +125 °C  
MIL-PRF-38534, Group B Inspection  
MIL-PRF-38534, Group C Inspection

5.0 Preservation, Packaging and Packing: The oscillators shall be clean, dry and packaged in a manner to provide adequate protection against electrostatic discharge, corrosion, deterioration and physical damage during shipment.

## 6.0 Part Numbering Example:

FTTC08	-	E	F	T	V	50
		* Frequency stability	Operating temperature range	Frequency tuning	Grade(Screening Level)	Frequency MHz
		A= 0.5 ppm	A= 0°C to +50°C	T=TCXO(No Vc)	N=No Screening	
		B= 1.0ppm	B= 0°C to +70°C	V=TCVCXO(With Vc)	I= Industrial Std	
		C= 2.0ppm	C= -20°C to +70°C		M= MIL-STD-883	
		D= 3 ppm	D= -40°C to +85°C		B= MIL-PRF-55310,level B	
		E= 6 ppm	E= -55°C to +105°C		S= MIL-PRF-55310,level S	
		F= 10 ppm	F= -55°C to +125 °C		V= MIL-PRF-55310,level S ,50krad(Si) total dose	
					R= MIL-PRF-55310,level S ,100krad(Si) total dose	

\*Note: Frequency stability=(Fmax-Fmin)/2

### Freq. Vs Temp Availability

Temp (°C)	A: ±0.5ppm	B: ±1.0ppm	C: ±2.0ppm	D: ±3.0ppm	E: ±6.0ppm
A: 0°C to +50°C	♦	♦	♦	♦	♦
B: 0°C to +70°C	♦	♦	♦	♦	♦
C: -20°C to +70°C	o	♦	♦	♦	♦
D: -40°C to +85°C	o	♦	♦	♦	♦
E: -55°C to +105°C	o	o	o	♦	♦
F: -55°C to +125°C	o	o	o	o	♦

o Contact Factory  
♦ available

P/N Example: FTTC07 - EFTV- 50.000 MHz = 50.000 MHz, Class "V" Oscillator, ± 6 PPM Overall Frequency Accuracy over an operating temperature range of -55 °C to +125 °C, 2.5V, LVPECL output, TCXO

**NOTE:** Besides **Class R and Class V**, the following additional models are available for applications that can accommodate reduced level of screening and quality conformance inspection:

**Class S :** **Class S** is same as **Class R and ClassV** except as follows:

Group A inspection is per MIL-PRF-55310, Class B

Group B inspection (30 day aging ) per MIL-PRF-55310 is not applicable

**Class B :** **Class B** uses the same design and elements as **Class S** except as follows:

100% screening is as per Table III herein

PDA for Burn-in is 10% or 1 unit whichever is greater

Delta measurements of paragraph 4.3 are not applicable

Group A inspection is as per MIL-PRF-55310, Class B

Group B inspection (30 day aging ) per MIL-PRF-55310 is not applicable

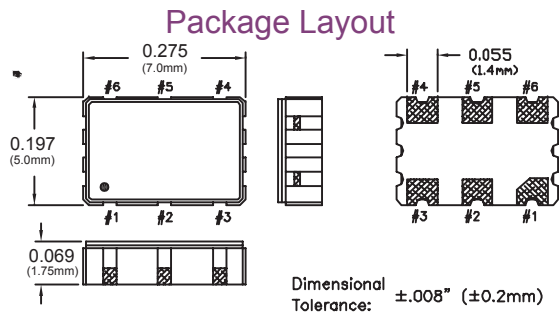
**Class M :** **Class M** is same as **Class B** except as follows:

Active and Passive Elements are as per MIL-PRF-55310, Class B. Microcircuit die is similar to the one used in Class B but is not from radiation tested wafer lot.

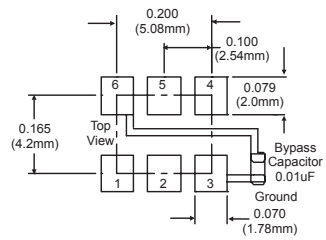
**Class I/N :** **Class I and Class N** is a form, fit and function equivalent prototype of **Class R to Class M**

Prototypes may use and industrial and commercial grade elements and are not screened. Quality Conformance inspection is not applicable.

Product Dimension:



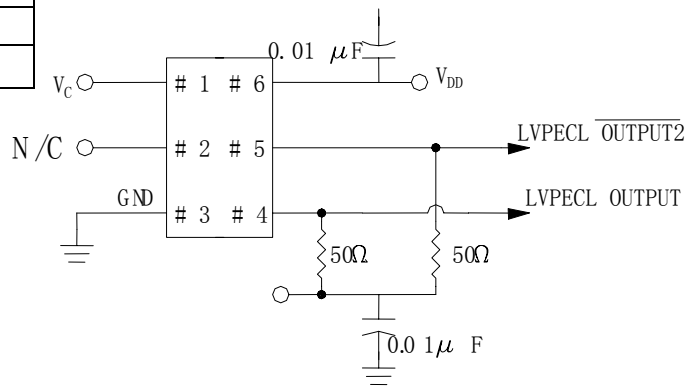
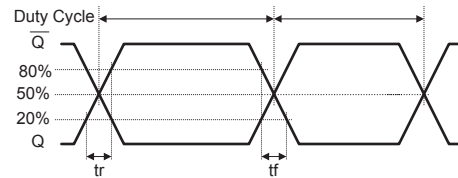
### Suggested Pad Layout



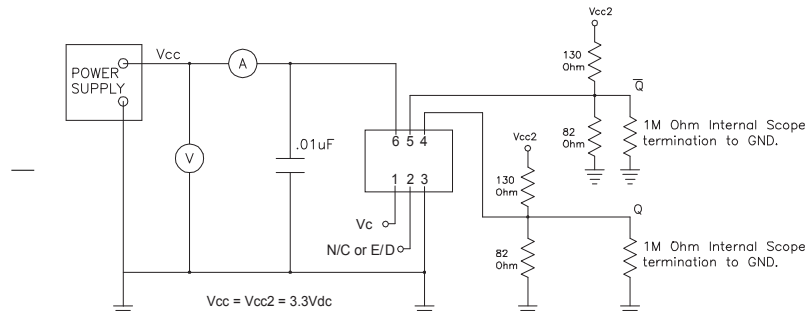
### Pin connections

Pin #	Connection
1	N/C or V <sub>c</sub>
2	N/C
3	Case, GND
4	Output
5	Output
6	Supply Voltage

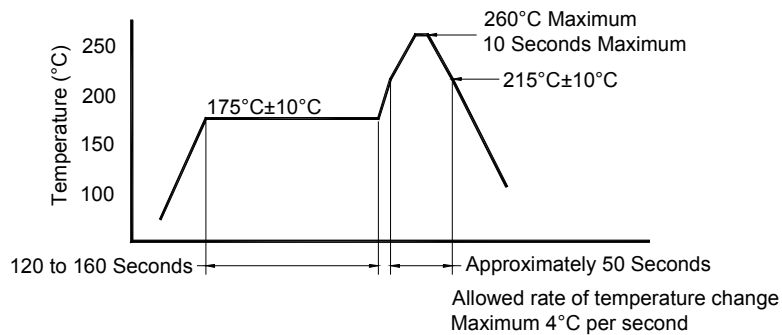
### Output Waveform



or



### Test Circuit for LVPECL (For Reference only) Reflow Cycle (typical for lead free processing)



## Electrical Specifications

Parameter	Symbol	Condition	Min	Typ	Max	Unit	Note
Frequency Range	F		10		1400	MHz	
Frequency Stability	$\Delta F/F$	Vs. Operating Temperature -55°C to +125 °C			$\pm 6.0$	ppm	
		Overall conditions including aging 20 years			$\pm 10$	ppm	
Operating Temperature Range	T		-55°		+125	°C	
Output		LVPECL					
Supply Voltage	Vcc		2.40	2.50	2.60	V	
Voltage Control	Vc		0.25	1.25	2.25	V	
Input Impedance						$\Omega$	
APR			$\pm 5$			ppm	
Deviation slope		Monotonic positive					
Linearity			-10		+10	%	
Modulation BW						Hz	3dB BW

Parameter	Symbol	Condition	Min	Typ	Max	Unit	Note
Input Current	Icc	50 Ohm Load			130	mA	
Load		50 Ohm to (Vcc-2V)					
Duty Cycle		@ 50%	45	50	55	%	
Rise / Fall Time	Tr/Tf	20% to 80%			1.0	ns	
Logic 1 level			Vcc-1.02			V	
Logic 0 level					Vcc-1.63		
Output skew				20		ps	
Start up time					10	ms	
Phase Jitter		12KHz to 20MHz		0.25	0.5	ps	
SSB Phase Noise		100Hz 1KHz 10KHz 100KHz		-90 -120 -127 -133		dBc/Hz	@ 622.08 MHz
Setability		Ref. to $f_0$			0.1	ppm	
Setability Voltage			1.3		1.7	V	
Enable / Disable Function							
Enable / Disable Time	Te/Td					ns	

Table II - Class R/V/S , Screening (100%)

Test - Inspection	Test Method – Condition
Nondestructive Bond Pull	MIL-STD-883, Method 2023
Internal Visual	MIL-STD-883, Method 2017, Level S
Stabilization Bake ( Prior to Seal ) <u>1/</u>	MIL-STD-883, Method 1008, Condition C ( +150 °C ), 48 hours minimum
Thermal Shock	MIL-STD-883, Method 1011, Condition A
Temperature Cycling	MIL-STD-883, Method 1010, Condition B
Constant Acceleration	MIL-STD-883, Method 2001, Condition A Y <sub>1</sub> axis only ( 5000 G )
Seal ( Fine and Gross Leak )	MIL-PRF-55310, Para. 4.8.2.2.2
Particle Impact Noise Detection ( PIND )	MIL-STD-883, Method 2020, Condition A
Radiographic Inspection	MIL-STD-883, Method 2012, Class S
Electrical Tests: Record all measurements.  Input Current Output Frequency Output Voltage Levels Output Rise & Fall Times Output Duty Cycle	Nominal Supply Voltage, Specified load, +23 °C  MIL-PRF-55310, Para. 4.8.5 MIL-PRF-55310, Para. 4.8.6 MIL-PRF-55310, Para. 4.8.21.3 MIL-PRF-55310, Para. 4.8.22 MIL-PRF-55310, Para. 4.8.23
Burn-in ( load )	+125 °C, Nominal Supply Voltage and Burn-in load, 320 Hours Minimum
Electrical Tests: Record all measurements.  Input Current Output Frequency Output Voltage Levels Output Rise & Fall Times Output Duty Cycle	Nominal and Extreme Supply Voltages, Specified load, +23 °C and operating temperature extremes,  MIL-PRF-55310, Para. 4.8.5 MIL-PRF-55310, Para. 4.8.6 MIL-PRF-55310, Para. 4.8.21.3 MIL-PRF-55310, Para. 4.8.22 MIL-PRF-55310, Para. 4.8.23

1/ Vacuum bake and maintain oscillators in dry nitrogen per MIL-PRF-55310.



Table III - Class B/M Screening (100%)

Test - Inspection	Test Method – Condition
Nondestructive Bond Pull	MIL-STD-883, Method 2023
Internal Visual	MIL-STD-883, Method 2017, Level B
Stabilization Bake ( Prior to Seal ) <u>1/</u>	MIL-STD-883, Method 1008, Condition C ( +150 °C ), 24 hours minimum
Temperature Cycling	MIL-STD-883, Method 1010, Condition B
Constant Acceleration	MIL-STD-883, Method 2001, Condition A Y <sub>1</sub> axis only ( 5000 G )
Seal ( Fine and Gross Leak )	MIL-PRF-55310, Para. 4.8.2.2.2
Particle Impact Noise Detection ( PIND )	MIL-STD-883, Method 2020, Condition A
Electrical Tests:  Input Current Output Frequency Output Voltage Levels Output Rise & Fall Times Output Duty Cycle	Nominal Supply Voltage, Specified load, +23 °C Verify all parameters  MIL-PRF-55310, Para. 4.8.5 MIL-PRF-55310, Para. 4.8.6 MIL-PRF-55310, Para. 4.8.21.3 MIL-PRF-55310, Para. 4.8.22 MIL-PRF-55310, Para. 4.8.23
Burn-in ( load )	+125 °C, Nominal Supply Voltage and Burn-in load, 160 Hours Minimum
Electrical Tests:  Input Current Output Frequency Output Voltage Levels Output Rise & Fall Times Output Duty Cycle	Nominal Supply Voltage, Specified load, +23 °C and verify frequency at temperature extremes.  MIL-PRF-55310, Para. 4.8.5 MIL-PRF-55310, Para. 4.8.6 MIL-PRF-55310, Para. 4.8.21.3 MIL-PRF-55310, Para. 4.8.22 MIL-PRF-55310, Para. 4.8.23

1/ Vacuum bake and maintain oscillators in dry nitrogen per MIL-PRF-55310.